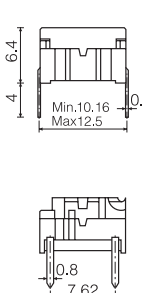
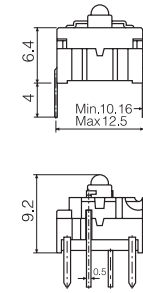
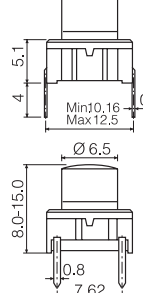
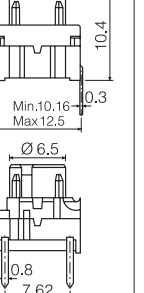
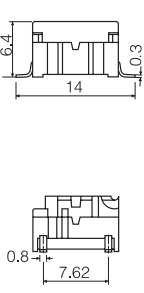
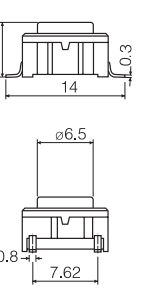
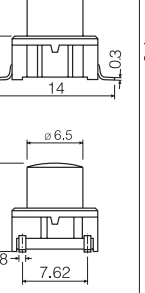
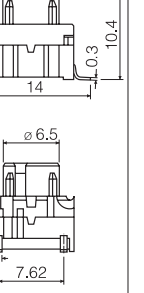
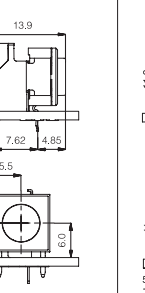
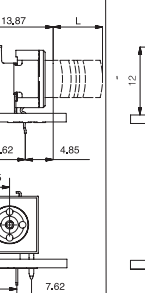
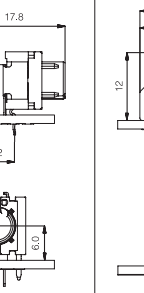
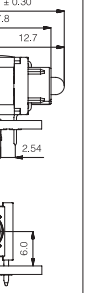


multimec® basic switch modules

Through-hole Versions																				
3A		3C		3E	3F															
For 1A/1B/1M/1ZA/1ZB		w/LED for 1C/1H		For 3E actuators/Varimec	For 1D/1K/1N/1P/1S/1T/1U/1V/1WA/1WD/1WG/1WP/1X/1ZC/1GA/1GC															
																				
<p align="center">Standard Versions</p> <table border="1"> <tr> <td>3ATL6</td> <td>3ATL600/20/40/80</td> <td>3CTL6/3CTL9</td> <td>3ETLXX-H*</td> <td>3FTL6</td> <td>3FTL600/20/40/60/80/2040/8020/8040</td> <td>3FTL623/45/88</td> </tr> <tr> <td>3ATH9</td> <td></td> <td>3CTH9</td> <td>3ETHXX-H*</td> <td>3FTH9</td> <td></td> <td></td> </tr> </table> <p>* 3E available in 6 standard heights: 08.0, 09.5, 10.4, 11.0, 12.0, 15.0 mm. Other heights between 08.0 and 15.0 mm are available upon request.</p> <p>Specials: Gold contacts, quiet version and actuation force other than 3.0N</p>							3ATL6	3ATL600/20/40/80	3CTL6/3CTL9	3ETLXX-H*	3FTL6	3FTL600/20/40/60/80/2040/8020/8040	3FTL623/45/88	3ATH9		3CTH9	3ETHXX-H*	3FTH9		
3ATL6	3ATL600/20/40/80	3CTL6/3CTL9	3ETLXX-H*	3FTL6	3FTL600/20/40/60/80/2040/8020/8040	3FTL623/45/88														
3ATH9		3CTH9	3ETHXX-H*	3FTH9																

Surface Mount Versions				Right Angle Versions											
3A	3C	3E	3F	3C	3E	3F	3F w/LED								
For 1A/1B/1M/1ZA/1ZB		For 3E actuators/Varimec	For 1D/1K/1N/1P/1S/1T/1U/1V/1WA/1WD/1WP/1X/1ZC/1GA/1GC		For 3E actuators/Varimec	For 1D/1K/1N/1P/1S/1T/1U/1V/1W/1WA/1WD/1WP/1X/1ZC/1GA/1GC	For 1D/1E/1F/1N/1Q/1R/1S/1X								
															
<p align="center">Standard Versions</p> <table border="1"> <tr> <td>3ASH9/3ASH9R</td> <td>3CSH9/3CSH9R</td> <td>3ESH9/3ESH9R</td> <td>3FSH9/3FSH9R</td> <td>3CTL6RAS</td> <td>3ETXX-X.XRAS</td> <td>3FTL6RAS</td> <td>3FTL600/20/40/60/80/2040/8020/8040RAS</td> </tr> </table>				3ASH9/3ASH9R	3CSH9/3CSH9R	3ESH9/3ESH9R	3FSH9/3FSH9R	3CTL6RAS	3ETXX-X.XRAS	3FTL6RAS	3FTL600/20/40/60/80/2040/8020/8040RAS	<p align="center">Standard Versions</p>			
3ASH9/3ASH9R	3CSH9/3CSH9R	3ESH9/3ESH9R	3FSH9/3FSH9R	3CTL6RAS	3ETXX-X.XRAS	3FTL6RAS	3FTL600/20/40/60/80/2040/8020/8040RAS								

Co-planarity = ≤ 0.05

DIMENSIONS (mm) Unless otherwise specified, all tolerances ± 0.2

multimec® Cross Section

